



PCORE
ELECTRIC

kV CLASS 34.5 kV **BIL** 200 kV **Uy** 22 kV

CURRENT RATING
400 AMP DRAW LEAD CONNECTION
1200 AMP BOTTOM CONNECTION

DWG.	CATALOG NUMBER	GLAZE COLOR
SD	B-89393-36	BROWN
SD	B-89393-36-70	LT. GRAY

DATE 3-4-16 **REV. DATE** 2-9-21

MAXIMUM ALTITUDE 10000 ft [3000 m]

NET WEIGHT 70 lb [32 kg]

ANGLE OF INCLINATION FROM THE VERTICAL 0° TO 70°

MIN. CREEP 41.00 [1041.4] **MIN. STRIKE** 17.00 [431.8]

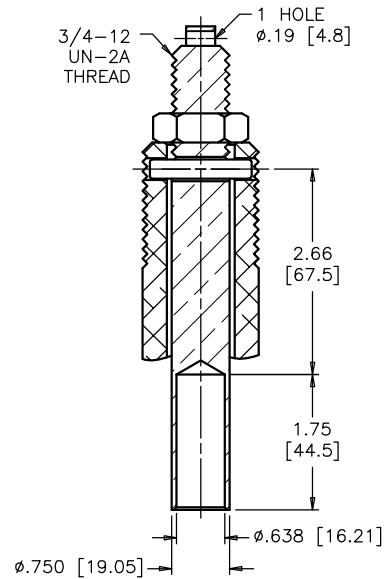
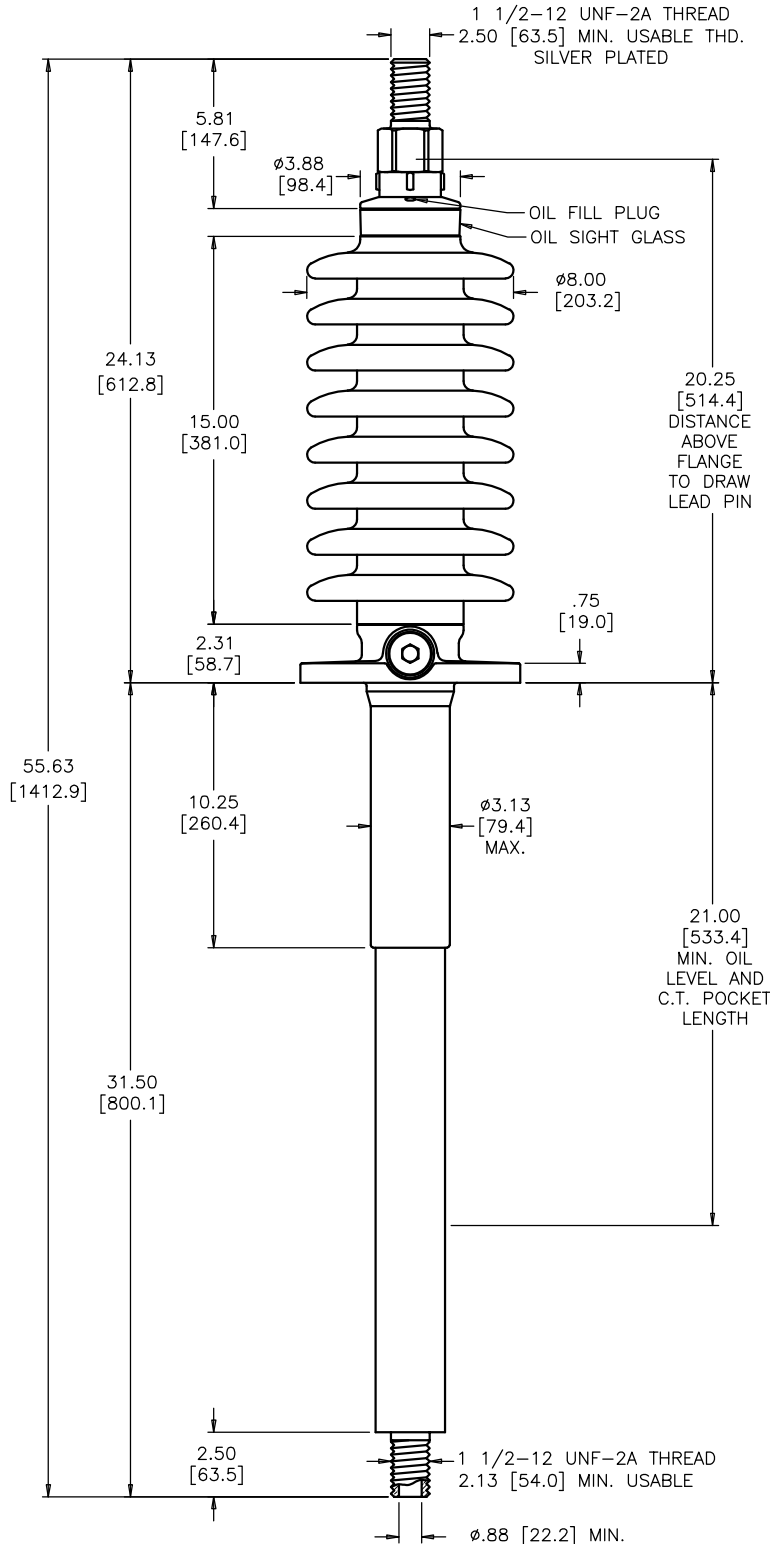
CREEP/L-G 2.06 [52.3] **STD.** IEEE C57.19.00/01

PCB CONTENT OF OIL IS LESS THAN 1 ppm

TITLE
PRC BUSHING

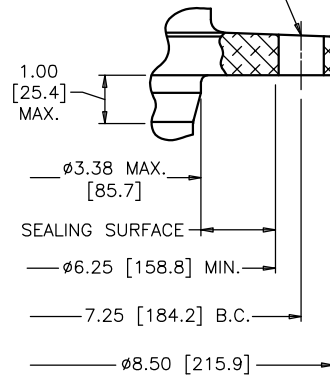
CRIMP TYPE DRAW LEAD TERMINAL
AS SPECIFIED BY CUSTOMER

NOTE: ACTUAL DRAW-LEAD CURRENT RATING IS DETERMINED BY CABLE SIZE

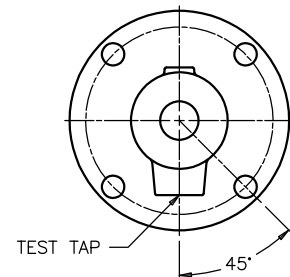


DRAW LEAD ASSEMBLY

4 HOLES Ø.88 [22.2] EQUALLY SPACED



MOUNTING FLANGE DETAIL



FLANGE ALIGNMENT DIAGRAM TOP VIEW

DIMENSIONS IN INCHES [MILLIMETERS]

REVISION ADDED AS SPECIFIED BY CUSTOMER TO TITLE

SCALE 1/5

NOTE TO PURCHASER:
ALL SALES OF PCORE PRODUCTS ARE SUBJECT TO OUR STANDARD TERMS AND CONDITIONS AND THE LIMITED WARRANTIES THEREUNDER